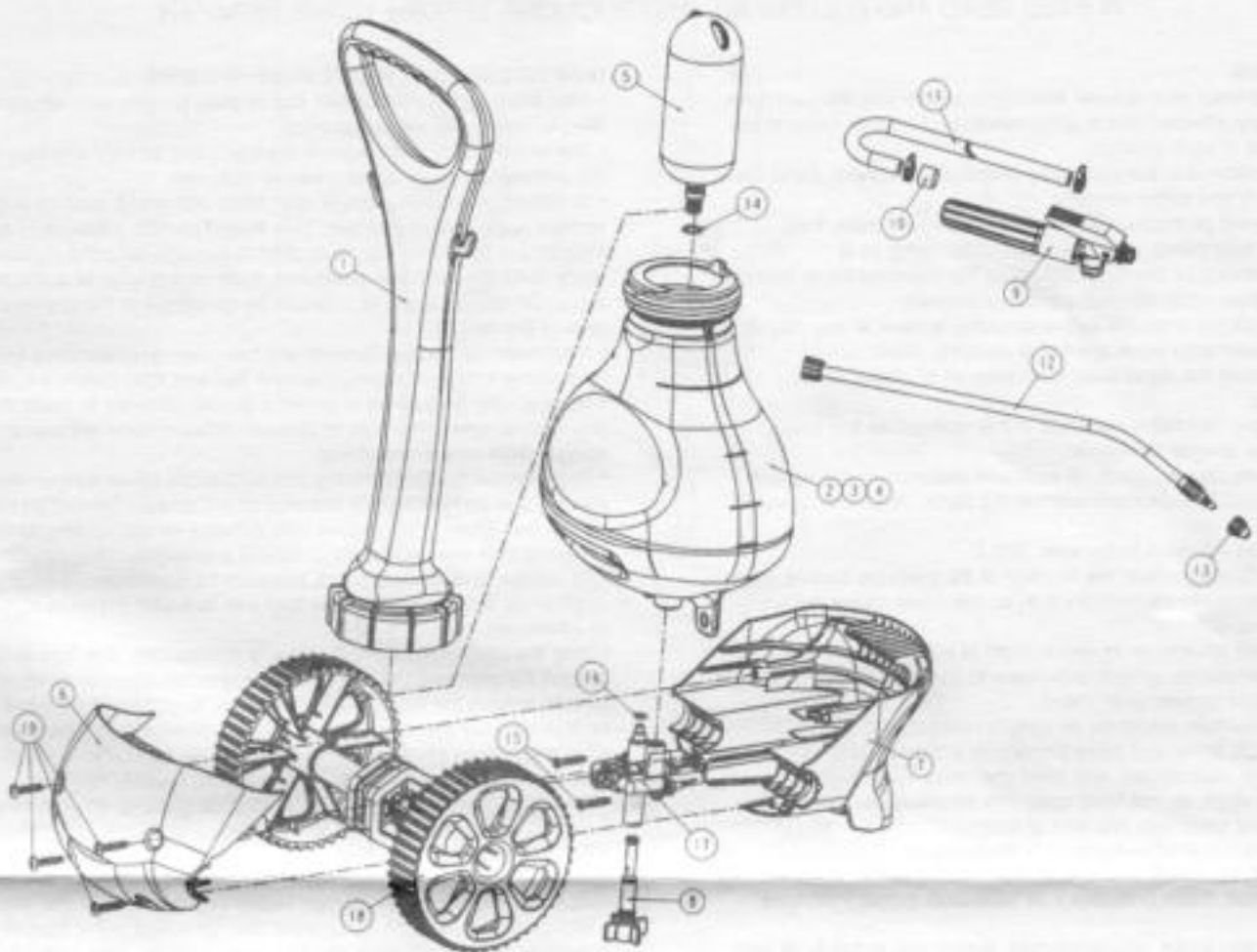


W2 & W4



(W2 & W4) WHEEL PUMP SPRAYERS REPAIR PARTS LIST

ITEM NOs.	DESCRIPTION	PART NO.
1	Handle & Cap Assembly	W2HLASBY
2	2 Gal. (8 Ltr.) Tank	W220R
3	3 Gal. (12 Ltr.) Tank	W320R
4	4 Gal. (16 Ltr.) Tank	W420R
5&14	Pressure Chamber & O'Ring	W2PCW/O
6	Rear Base Housing	W2RBHSG
7	Front Base Housing	W2FBHSG
8	Filter/Drain Plug Assembly	W2FLTDP
9&10	Discharge Valve Replacement Kit	R58C
11	96" Hose & Screw Clamps	W2HOSE
12&13	Wand & Tip Assembly	W2WAND
13	Small Orifice Spray Tip	W2TIP
14,16,17	Pump Kit Assembly	W2PUMP
15	Pump Housing Screws (2Pk)	W2PMPSC
18	Wheel Assembly	W2WHEEL
19	Base Housing Screws (4Pk)	W2HSGSC

NOTE: Gilmour reserves the right to change product specifications without prior notice

OWNER'S GUIDE

WHEEL PUMP SPRAYER

PLEASE READ AND FOLLOW ALL INSTRUCTIONS BEFORE USING SPRAYER

WARNINGS:

- Always inspect your sprayer thoroughly before use. Be sure hose is securely attached and in good condition. Test with water at the beginning of each session.
- Always follow directions on spray chemical containers. Read them thoroughly and follow carefully.
- Always wear protective clothing (goggles, face masks, long sleeves, long pants, gloves, etc.) when spraying as is recommended by the manufacturer of the chemical being sprayed. Do not allow spray to reach people or animals.
- Always release pressure before servicing sprayer in any way by holding discharge valve open until spraying stops.
- Always point the wand away from yourself or others while adjusting.
- Do not use flammable materials in this sprayer, as this could cause the sprayer to explode.
- Do not use caustic, acidic, or corrosive materials in this sprayer, as they could weaken and corrode the parts, which could lead to injury.
- Do not use solutions hotter than 105° F.
- Do not damage or alter the function of the pressure control valve or plug the pressure control valve, as this could cause the sprayer to explode.
- Do not pull sprayer by the hose, push or pull by handle only.
- Do not pressurize sprayer until ready to use. Do not leave pressurized sprayer unattended.
- Always maintain sprayer in an upright position.
- Clean tank, pump and valve thoroughly with soap and water after herbicides, insecticides, and other chemicals have been used.
- If nozzle clogs, do not force open with air pressure. Remove nozzle and clean with fine wire or toothpick.
- Read and follow all instructions in sprayer manual before using.
- **FAILURE TO HEED ALL SAFETY INSTRUCTIONS AND WARNINGS COULD RESULT IN SERIOUS BODILY INJURY.**

HOW TO PREPARE YOUR WHEEL PUMP SPRAYER FOR USE

1. Remove sprayer from box and inspect thoroughly.
2. Attach spray wand to discharge valve.
3. Always follow the directions supplied by the manufacturer of the chemical to be sprayed.
4. Fill the sprayer with the desired amount of liquid. Sprayer is designed to spray water weight or nearly water weight liquids. Thicker liquids may need to be thinned before they will spray properly.
5. Thread cap/handle onto top of sprayer. Align arrow on front of handle with arrow on front of sprayer so that notch on bottom of handle lines up with raised area at top of tank opening. Hold handle in this position while rotating cap clockwise to attach to top of the tank.
6. Follow chemical manufacturer recommendations for protective clothing, goggles, gloves, etc. before pressurizing sprayer.
7. Tank contents are shown in gallons and liters. On the left side of tank full gallons are indicated by longer lines and half gallons by shorter lines. Liters are indicated by a full line for each liter.

FREE REPLACEMENT POLICY:

If this Spray Doc sprayer does not give the user complete satisfaction, it will be replaced free of charge. If used for commercial or rental purposes the free replacement policy is limited to 90 days from the date of purchase.

Gilmour Manufacturing Company, Customer Service Department, 492 Drum Avenue, Somerset, PA 15501.
Should you have any questions, contact Customer Service at 1-800-458-0107. Internet address: www.gilmour.com

HOW TO USE YOUR WHEEL PUMP SPRAYER

- After filling sprayer with liquid, pull or push sprayer from where it was filled to where you will be spraying.
- The wheels carry the weight of the liquid and as they turn they create the pressure to spray in the pressure chamber.
- To initially pressurize sprayer after filling with liquid, push or pull sprayer approximately 80 feet. This should provide pressure to apply insecticides and other liquids applied to average spraying pressures. To apply herbicides at lower pressures, push or pull sprayer a shorter distance. Or release some of pressure by spraying into the unpressurized area of the tank.
- Alternately roll sprayer forward and backward approximately ten times by pushing it forward approximately 4 feet and then pulling it back.
- Sprayer may be pushed or pulled a greater distance to reach the area you want to spray. The built in pressure release valve will prevent the sprayer from over pressurizing.
- To repressurize after spraying pressure drops below desired level, push or pull sprayer a short distance or roll sprayer forward and backward a few times. It will require less distance or less rocking to rebuild pressure than was necessary to initially pressurize.
- To release pressure or reduce pressure for herbicides, remove cap/handle assembly and spray fluid into tank until pressure is reduced or eliminated.
- Only the central pressure chamber is pressurized. The fluid tank around the pressure chamber remains unpressurized at all times. It is safe to remove the cap/handle at any time to add liquid chemical to tank or to spray into unpressurized fluid tank area to reduce pressure.
- For a fine cone spray pattern, tighten nozzle tip at end of wand. For a coarser spray or solid stream, loosen nozzle tip. **WARNING: Loosening tip too far will result in the tip coming off, allowing spray to go in uncontrolled directions.**
- The 8-foot hose allows spraying over a large area without moving sprayer. When not using the entire hose length, the extra hose can be coiled and hung from the storage hooks on either side of the handle.
- When not spraying the spray wand can be stored in the front of the handle by inserting it down into the opening on the front below the grip.

CLEANING AND MAINTENANCE INSTRUCTIONS

1. Release pressure by removing cap/handle assembly and spraying into unpressurized area of tank until pressure is gone. To release the pressure faster, the spray wand can be removed from the discharge valve and the pressurized liquid sprayed into the unpressurized area of tank with the valve only. The greater flow of the valve without the wand will release the pressure quickly.
2. Remove any remaining liquid chemical from tank and store or dispose of as directed by the chemical manufacturer.
3. Refill tank with soapy water or solvent as recommended by chemical manufacturer's directions for cleaning. Rinse tank with cleaning solution and dispose of liquid as recommended by chemical manufacturer.
4. Place a small amount of cleaning solution back into tank and pressurize sprayer, then spray cleaning solution as needed to clean the inside of pump and pressure chamber. Dispose of cleaning solution as recommended by chemical manufacturer.
5. Unthread black filter knob from bottom of sprayer. Rinse filter screen at tip with water. Inlet filter screen must be kept clean for sprayer to function properly.
6. Thorough cleaning is important to prevent cross contamination between different chemicals.